

CREATE
YOUR STYLE with
CRYSTALLIZED™
- Swarovski Elements



CASCADE
BUBBLE
NECKLACE

BUBBLE NECKLACE



CRYSTALLIZED™ – Swarovski Elements

Supplies & Tools

Article	Product Group	Article No.	Amount	Size	Colour	Colour Code
	Beads	5000	5 pcs.	6 mm	Crystal Moonlight	001 MOL
	Beads	5000	16 pcs.	6 mm	Pacific Opal	390
	Beads	5328	6 pcs.	6 mm	Chrysolite	238
	Beads	5727	6 pcs.	14 mm	Aquamarine	202
	Beads	5727	4 pcs.	14 mm	Crystal AB	001 AB
	Beads	5727	6 pcs.	18 mm	Crystal	001
	Beads	5727	2 pcs.	18 mm	Crystal AB	001 AB

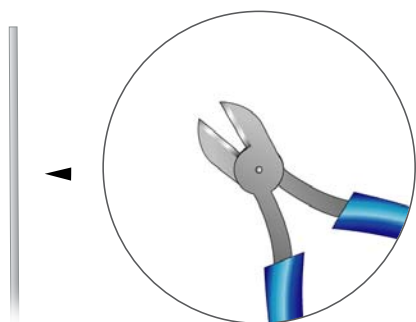
Supplies
Wire, Silver, 1 mm, 6 m

Tools
Flat nose pliers
Round nose pliers
Side cutter

Level of Design: BEGINNER

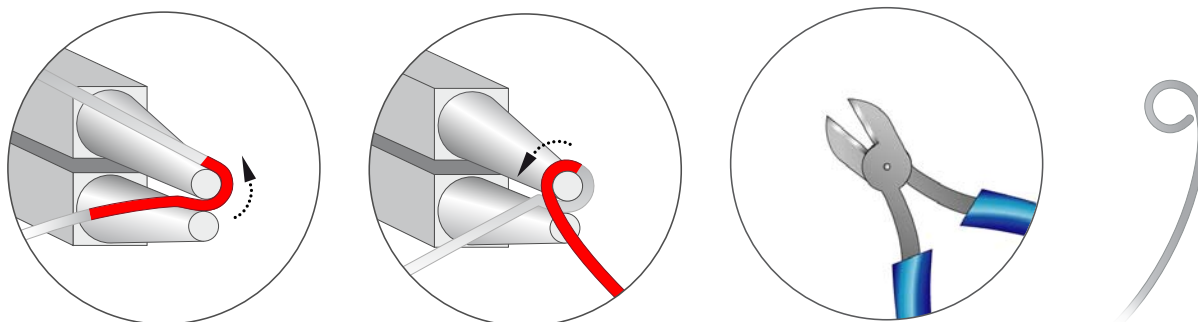
Have also a look at the **text instruction** at the last page!

STEP 1

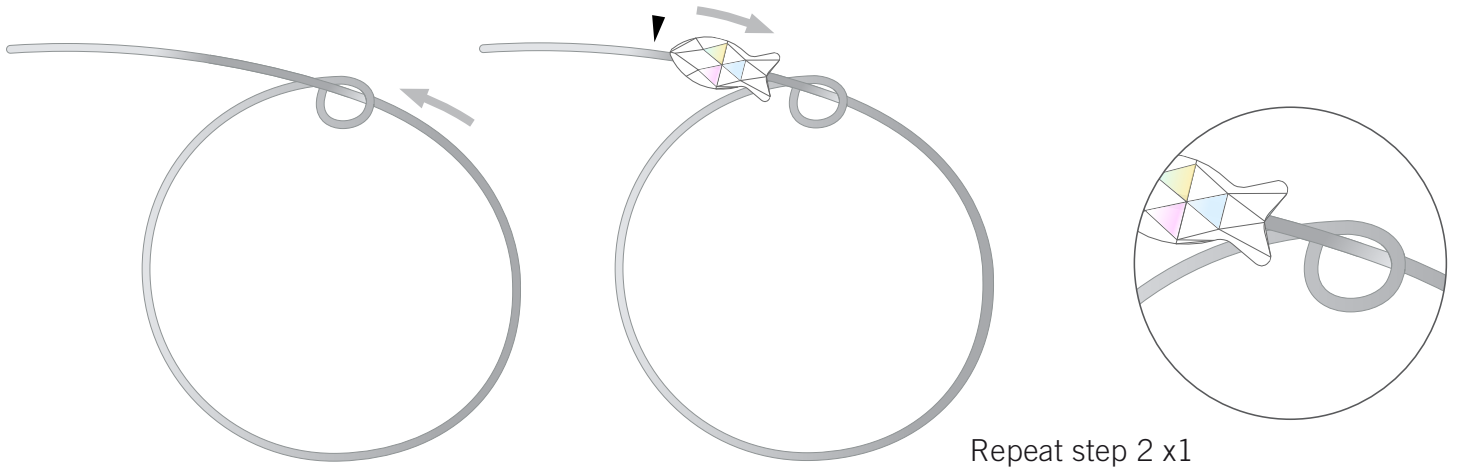


A = 17.5 cm 6x
B = 19.5 cm 2x
C = 20.5 cm 6x
D = 17 cm 6x
E = 21 cm 5x
F = 19 cm 4x

STEP 2

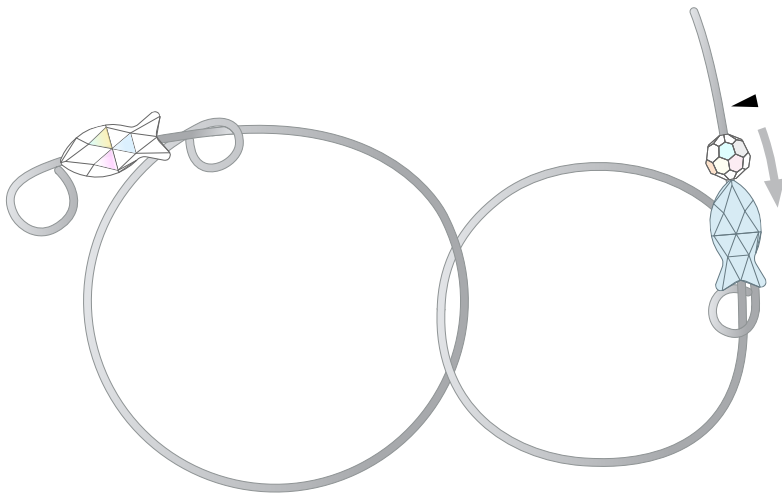


STEP 3

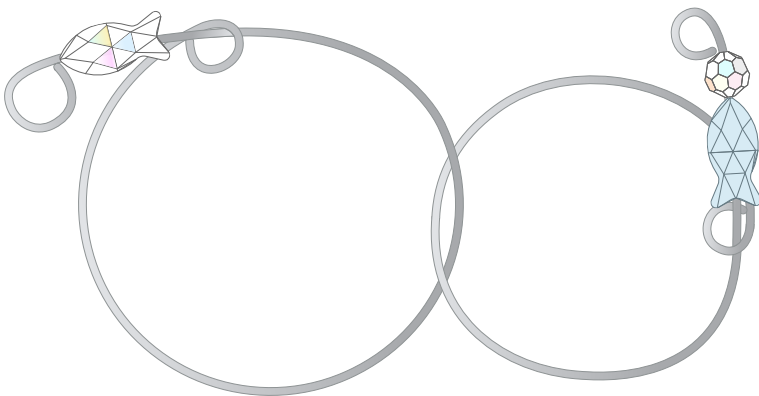


STEP 4

Repeat step 2 - 3 :



Repeat step 2 x1:



STEP 5

Repeat step 1 - 4 x27:



CREATE YOUR STYLE with CRYSTALLIZED™ – *Swarovski Elements* Instruction Package
Cascade Bubble Necklace

- Step 1: Cut from the 1mm wire with side cutters: six 17.5cm pieces, two 19.5cm pieces, six 20.5cm pieces, six 17cm pieces, five 21cm pieces and four 19cm pieces.
- Step 2: Make a loop on one end of one piece of wire with round nose pliers. Cut off excess with side cutters.
- Step 3: Slide other end of wire through loop you created - so that wire forms a circle, this is the first "chain link". Slide a CRYSTALLIZED™ Bead onto wire end. Repeat step 2 to get another small loop after the bead.
- Step 4: Repeat step 2 with another wire piece to form a second link. Slide it into first link, slide on CRYSTALLIZED™ Beads and repeat step 2 to get a small loop directly after Beads.
- Step 5: Repeat steps 1 – 4 twenty-seven times to form the chain. Use wire lengths and CRYSTALLIZED™ Beads randomly. Take care that you link last link to first link for closing chain.